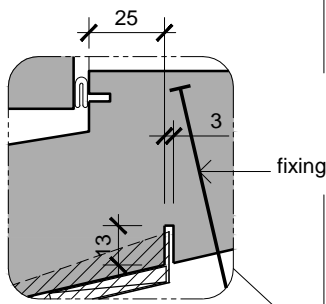
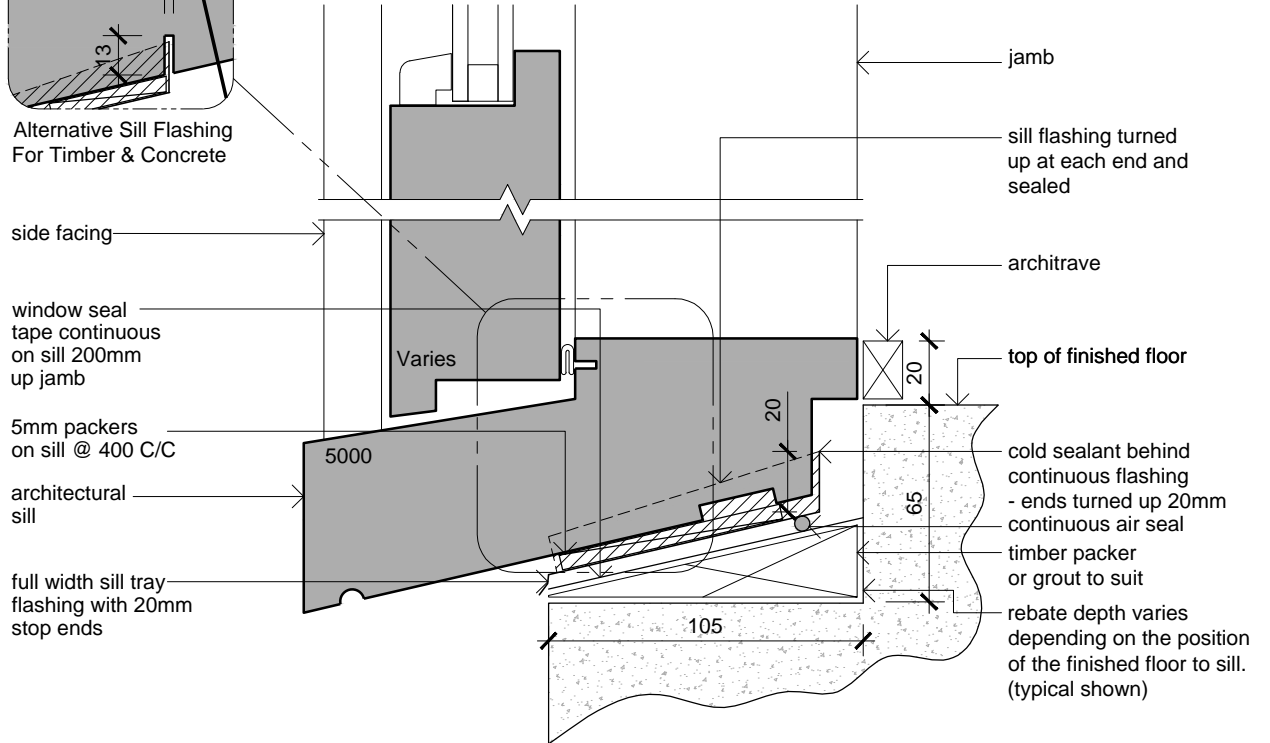


NOTE:
 AT THE HEAD FLASHING ALL CLADDINGS NEED TO HAVE A SAW CUT AT THE CORRECT LOCATION TO ALLOW THE CLADDING TO BE FITTED ONTO THE FLASHING. THE SAW CUT ALLOWS THE CLADDING TO BE FITTED AS CLOSE TO THE TRIM OPENING AS POSSIBLE GIVING MAXIMUM COVER BEHIND THE FACING.

Door Head
 Scale: 1:2.5



Alternative Sill Flashing For Timber & Concrete



Door Sill
 Scale: 1:2.5

Cladding Type:

Weather Board on Cavity

Window / Door Type:

French Doors

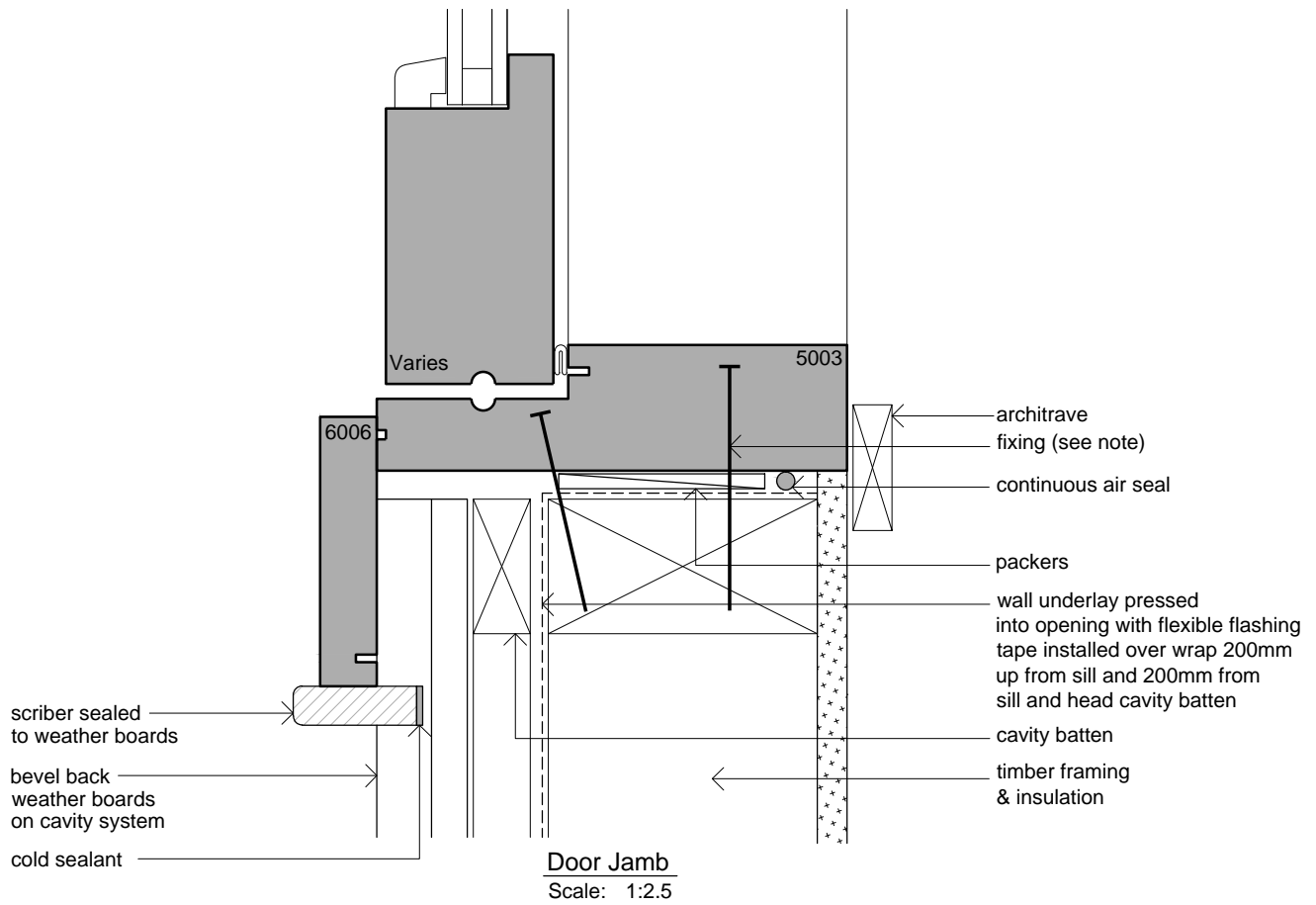


Installation Drawings

Sheet: **1 of 2**

Issue: **F**

A01-11



NOTE:

1. COLD SEALANT NEUTRAL CURE MODIFIED SILICONE.
2. SCREW OR NAIL FIXING JAMBS 200mm FROM HEAD AND SILL MAXIMUM 600 CENTRES.
3. SILL FLASHINGS TURNED UP 20mm AT EACH END OF FRAMES AND SEALED.
4. FIXING THROUGH SILL AS SHOWN ON DRAWINGS.
5. SITE FIXED FACINGS MUST HAVE COLD SEALANT BETWEEN FACING AND JAMB.

Cladding Type:

Weather Board on Cavity

Window / Door Type:

French Doors

JMF
NEW ZEALAND LIMITED
JMF New Zealand Limited
20 Cambridge Terrace
Taradale, Napier 4112. NZ

Installation Drawings

Sheet: **2 of 2**

Issue: **F**

A01-11